

# MODEL LSB352

## 3mV/V S-BEAM LOAD CELL W/ OVERLOAD PROTECTION IN TENSION AND COMPRESSION (Previously L2372)

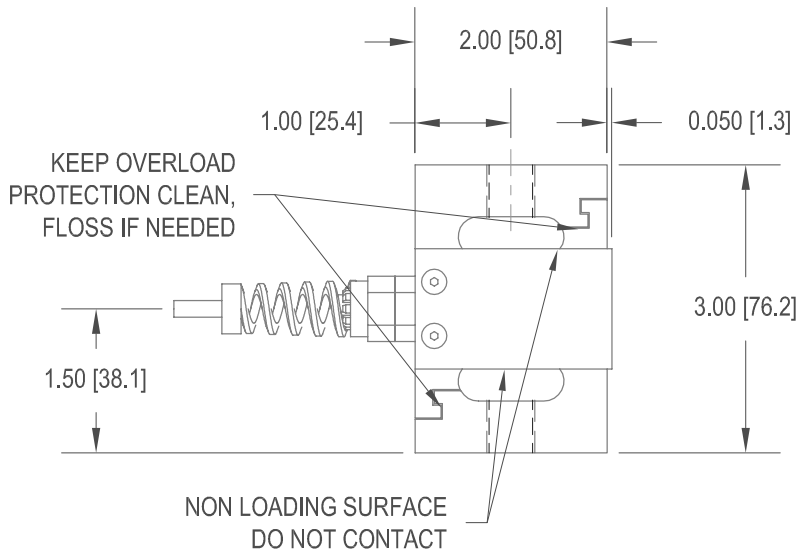
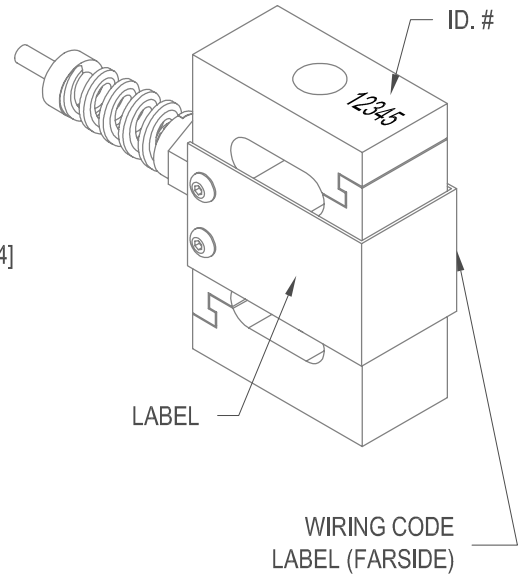
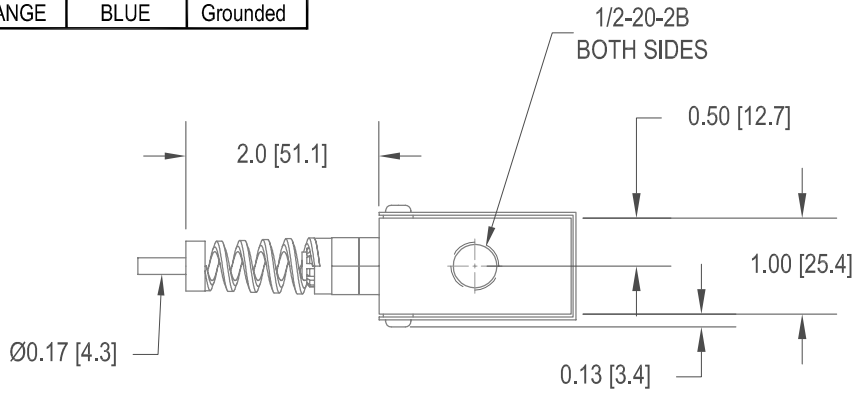
Drawing Number: FI1078-A

INCH [mm] | R.O.= Rated Output

WIRING CODE (WC4)			
+Excitation	-Excitation	+Signal	-Signal
RED	BLACK	GREEN	WHITE
+SENSE	-SENSE	Shielded	
ORANGE	BLUE	Grounded	



+OUTPUT  
(TENSION)



### SPECIFICATIONS:

RATED OUTPUT	3 mV/V nom. (Matched Output Optional)
SAFE OVERLOAD	500% of R.O.
ZERO BALANCE	±1% of R.O.
EXCITATION (VDC OR VAC)	18 MAX
BRIDGE RESISTANCE	350 Ω nom.
NONLINEARITY	±0.05% of R.O.
HYSTERESIS	±0.05% of R.O.
NONREPEATABILITY	±0.01% of R.O.
TEMP. SHIFT ZERO	±0.001% of R.O./°F [0.0018% of R.O./°C]
TEMP. SHIFT SPAN	±0.0008% of LOAD/°F [0.0014% of LOAD/°C]
COMPENSATED TEMP.	60 to 160°F [15 to 72°C]
OPERATING TEMP.	-40 to 200°F [-40 to 93°C]
MATERIAL	17-4 PH S.S.

CABLE: #28 AWG, 6 Conductor, Spiral Shielded Polyurethane Cable 5 ft [ 1.5 m ] Long

ACCESSORIES AND RELATED INSTRUMENTS AVAILABLE

CALIBRATION (STD) 5 pt. TENSION; 43.575KΩ SHUNT CAL. VALUE

CALIBRATION (AVAILABLE) COMPRESSION

CALIBRATION TEST EXCITATION 10 VDC

soporte@logicbus.com

STK#	CAPACITIES	
	lb	N
FSH02100	500	2224
FSH02101	1000	4448

www.logicbus.com



PLCs



Adquisición



Instrumentos



Registadores



Potencia



HMIs



Switches



Movimiento



Sensores



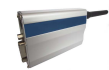
Convertidores



Teclados



SCADA



Telemetría

¡Tu sitio de automatización!