

## 2-4 Channel Summing Junction Box

AVAILABLE AMPLIFIER:  $\pm 5$  VDC,  $\pm 10$  VDC, 0-20 mA, 4-20 mA, 0-16 mA, 5-25 mA  
ANALOG OUTPUT (OPTIONAL)

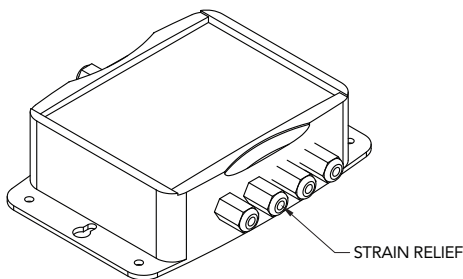


### FEATURES

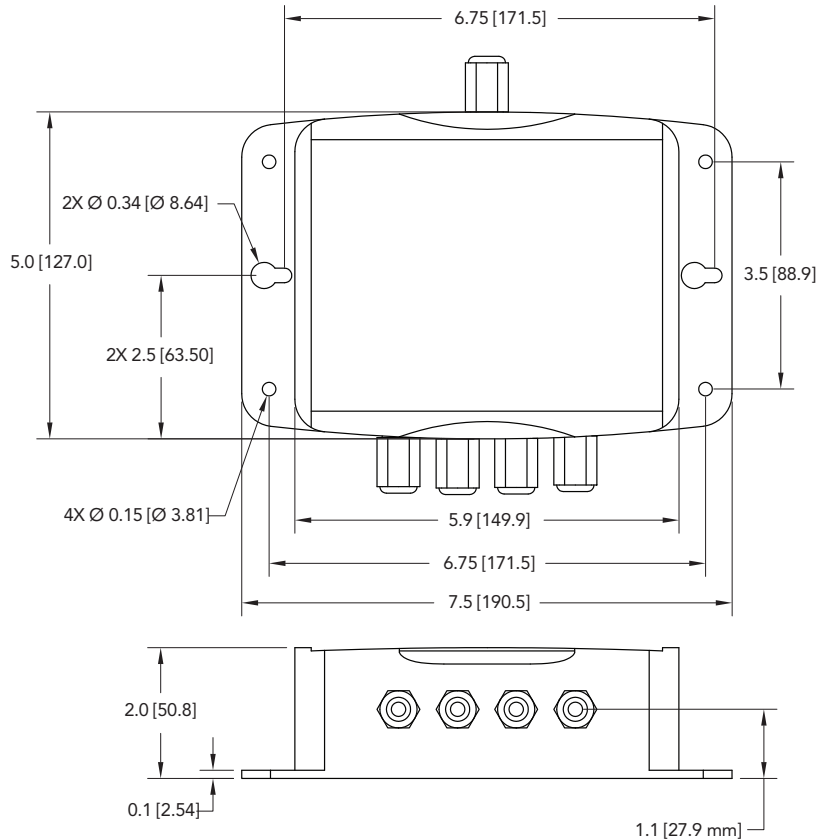
- Excitation
  - mV/V Version: Refer to sensor infosheet for max excitation, system not to exceed 24 VDC
  - VDC, mA Version: 14-26VDC
- Dip Switch Selectable Channels (2-4)
- Individual Span Adjustment For All 4 Channels
  - 350 Ohm bridge - 13%
  - 700 Ohm bridge - 24%
  - 1000 Ohm bridge - 31%
- Easy Access Screw Terminal Blocks
- Cable Strain Relief To Support Cables From  $\varnothing 0.08$  [ $\varnothing 2.0$ ] to  $\varnothing 0.25$  [ $\varnothing 6.35$ ]
- Dual Mounting Holes
- IP65/NEMA 4X Rated Housing  
UV Stable 94V-2 Polycarbonate Material

### ENVIRONMENT

- Operating Temperature: 32° F to 158° F (0°C to 70°C)
- Storage Temperature: -40° F to 185° F (-40°C to 85°C)
- 95% Relative Humidity Non-Condensing



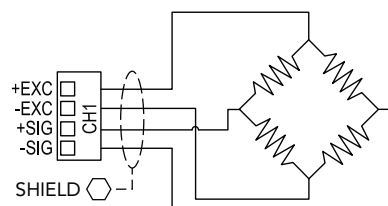
### DIMENSIONS inches [mm]



### OUTPUT CONNECTIONS

	IN +	IN -	OUT +	OUT -	N/C
<b>STRAIN</b>	+EXC	-EXC	+SIG	-SIG	SHIELD
<b>VOLTAGE</b>	+PWR	GND	V OUT	V RETURN	SHIELD
<b>CURRENT</b>	POWER SUPPLY/ EXCITATION	-PWR	I OUT	I RETURN	SHIELD

### SENSOR CONNECTIONS



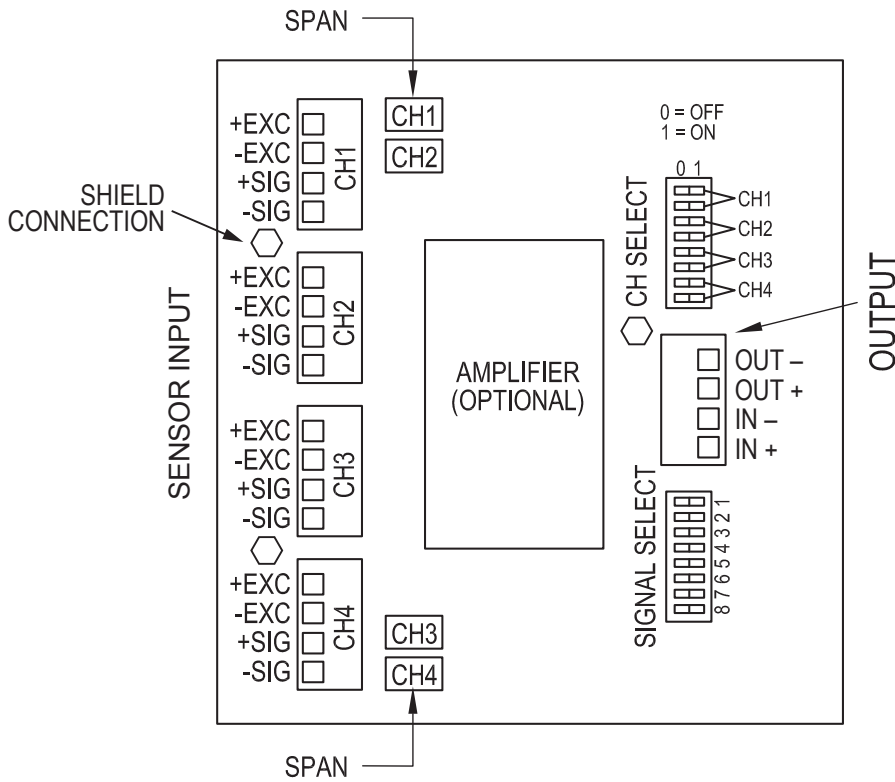
\* Please see sensor specifications for correct color code

### \* VOLTAGES

Strain: See Sensor Specifications For Max Level  
Voltage: 14-26 VDC @ 150 mA For  $\pm$ PWR  
Current: 14-26 VDC @ 150 mA For  $\pm$ PWR

OUT - (WHITE)	<input type="checkbox"/>
OUT + (GREEN)	<input type="checkbox"/>
IN - (BLACK)	<input type="checkbox"/>
IN + (RED)	<input type="checkbox"/>

**BOARD VIEW**



**VERSIONS**

ITEM #	Output
FSH02126	mV/V
FSH01927	±5 VDC, ±10 VDC, 0-20 mA, 4-20 mA, 0-16 mA, 5-25 mA

**DIP SWITCH SELECTION (SIGNAL SELECT)**

	1	2	3	4	5	6	7	8
S (mV/V)	1	0	1	1	0	0	1	0
V (VDC)*	0	1	1	0	1	0	0	1
I (mA)*	0	1	1	0	0	1	0	1

\* Use with amplifier option only

Drawing Number: FI1173-E

FUTEK reserves the right to modify its design and specifications without notice. Please visit <http://www.futek.com/salesterms> for complete terms and conditions.

10 Thomas, Irvine, CA 92618 USA

Tel: (949) 465-0900

Fax: (949) 465-0905

[www.futek.com](http://www.futek.com)



U.S. Manufacturer