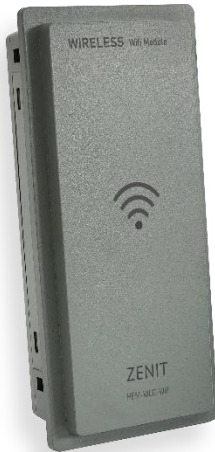


HEM-WLC-WIFI

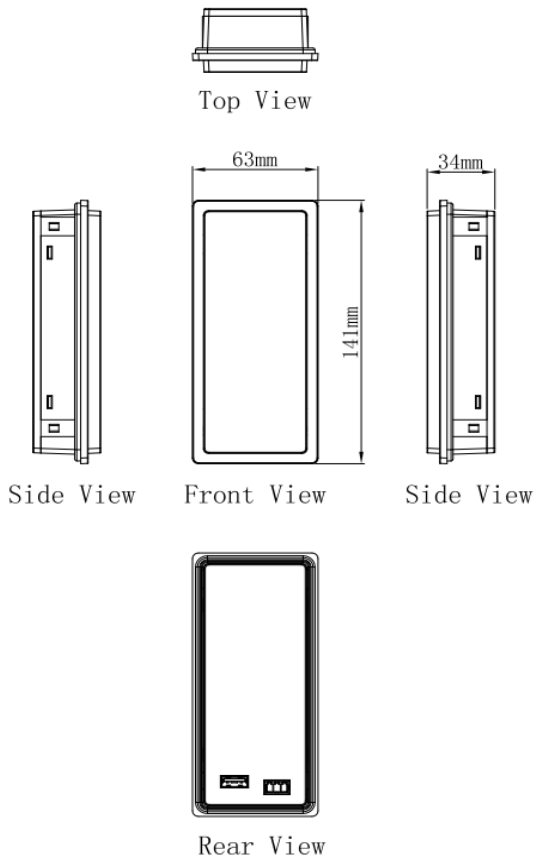


WIFI communication modules

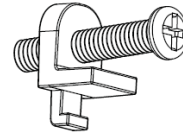
- ✧ Support for FATEK/ZENIT HMI plug-and-play, no complex configuration required
- ✧ Dual Band technology for increased stability
- ✧ Special installation design, no need to worry about signal shielding
- ✧ Simple and reliable installation, perfectly integrated with control cabinet
- ✧ Front-Facing waterproof rating IP66

WIFI Specification	Network Frequency Band	2.4GHz & 5GHz
	Supported Protocols	IEEE 802.11 a/b/g/n IEEE 802.11 ac MU MIMO
Communication Interface	USB 2.0 Type A (F)	Requires the use of a USB 2.0 Cable Type A Male to Type A Male to connect with the HMI.
Power	Power Input	Powered via USB, no additional power supply required.
	Power Consumption	2.25W (5V, 450mA)
Environment	Protection Structure	Front: IP66, Rear: IP20
	PCB Coating	Yes
	Operating Temp	0~50°C
	Storage Temp	-20 ~ 60°C
	Relative Humidity	10%~90% (40°C Non-condensing)
	Withstand Voltage	500VAC/20mA/1 Min.
Dimension / Weight	Vibration Endurance	5 to 9Hz Half-amplitude: 3.5mm ; 9 to 150 Hz Constant acceleration: 19.6m/s ² (2G) ; X, Y, Z: 10times (IEC61131-2 complaints)
	Dimensions W x H x D	141 x 63 x 34 (mm)
	Cut-out	132 x 54 (mm)
Dimension / Weight	Weight	110 (g)
	Certification	CE

◆ Dimensions Drawing

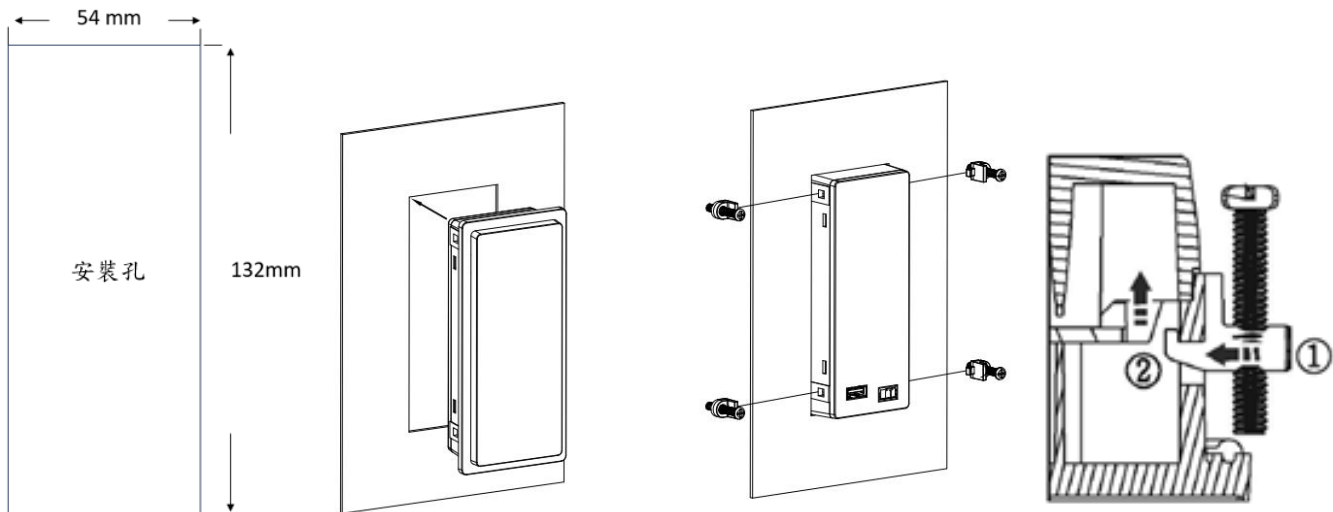


◆ Accessory



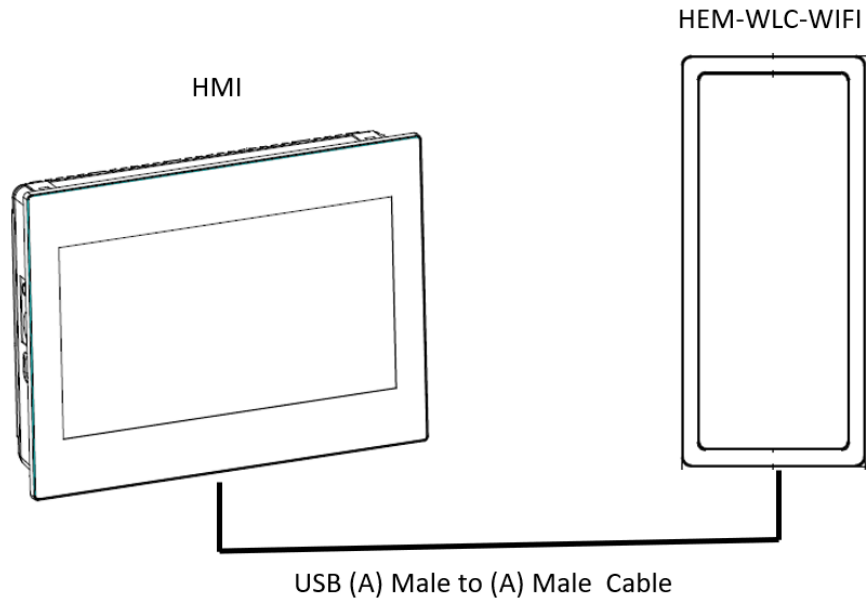
Hook & Screw x4

◆ Cut-out & Installation



- Place the HEM-WLC-4G into the mounting hole until the waterproof ring contacts the enclosure of the control box.
- Insert a hook into each fixing hole, then pull up the hook to prevent it from slipping away.
- Tighten the screws evenly with moderate torque (about 0.16N · m). Failure to tighten the screws may result in the product falling off, malfunction, or short circuit. Over-tightening the screws may cause deformation of the enclosure.

◆ Usage Instructions



- Requires the use of a USB 2.0 Cable Type A Male to Type A Male to connect with the HMI.