



ET-7019Z
PET-7019Z

(PoE) Ethernet I/O Module with 10-ch universal AI,
6/3-ch DO

ET-7219Z
PET-7219Z

Features

- Built-in Web Server
- Web HMI
- Support for both Modbus TCP and Modbus UDP Protocols
- Communication Security
- 2-port Ethernet Switch (LAN Bypass) for Daisy-Chain Wiring
- Dual Watchdog
- I/O Pair Connection
- Built-in I/O
 - AI: 10 Channels with 240 Vrms Overvoltage Protection
 - DO: 6/3 Channels



Introduction

The "Z" version is another milestone in the development of the thermocouple series and is a testament to the excellence of ICP DAS products. The ET-7019Z/PET-7019Z/ET-7219Z/PET-7219Z is specifically designed for extremely accurate thermocouple measurement and features automatic cold-junction compensation for each channel to ensure temperature output consistency and stable temperature output in the field. Current input and voltage input are both supported. Another feature is that its ten input channels can be individually configured for different kinds of analog input. Open thermocouple detection and ESD/EFT/Surge protection mechanisms are also included. The six/five digital output channels can be set as alarm outputs with short-circuit protection and overload protection.

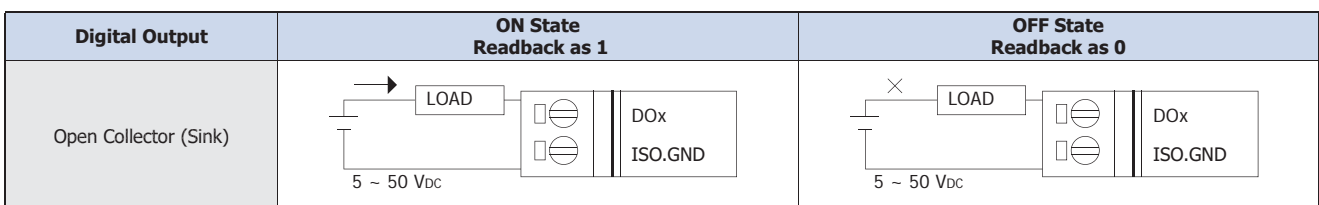
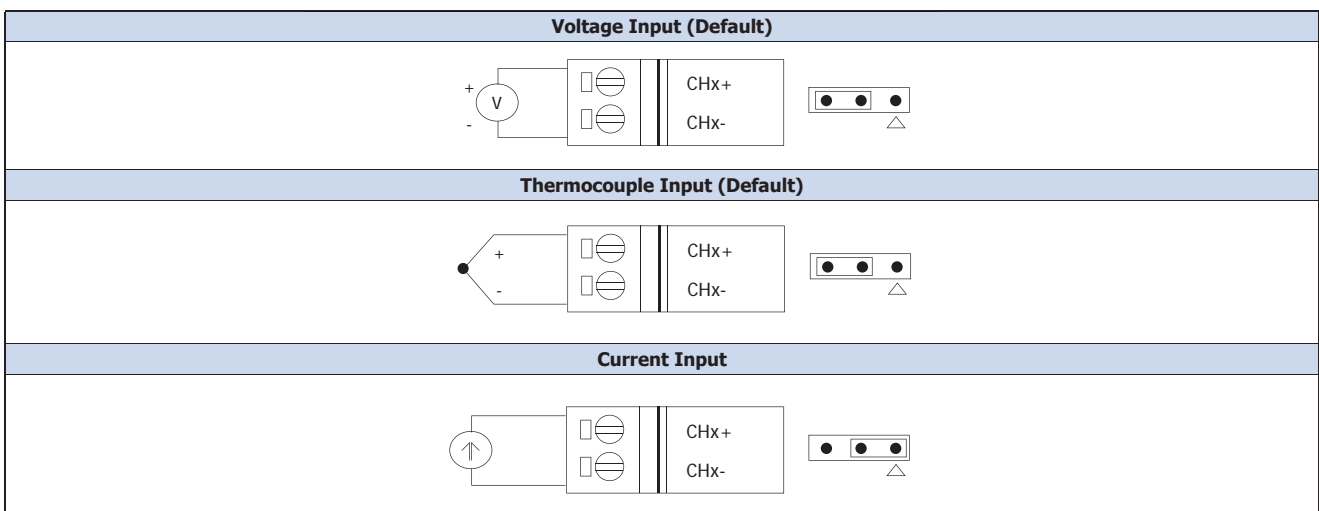
System Specifications

Model	ET-7019Z	PET-7019Z	ET-7219Z	PET-7219Z
Software				
Built-in Web Server	Yes			
CPU Module				
Watchdog Timer	Module, Communication (Programmable)			
2-Way Isolation				
Ethernet	1500 VDC	-	1500 VDC	-
I/O	2500 VDC			
EMS Protection				
EFT (IEC 61000-4-4)	±4 kV for Power Line		±2 kV for Power Line	
ESD (IEC 61000-4-2)	±4 kV Contact for Each Terminal ±8 kV Air for Random Point			
Surge (IEC 61000-4-5)	±0.5 kV for Power Line		±2 kV for Power Line	
LED Indicators				
Status	Run, Ethernet	Run, Ethernet, PoE	Run, Ethernet, I/O	Run, Ethernet, I/O, PoE
Ethernet				
Ports	1 x RJ-45, 10/100 Base-TX		2 x RJ-45, 10/100 Base-TX, Switch Ports	
PoE	-	Yes	-	Yes
LAN bypass	-		Yes	
Security	ID, Password and IP Filter			
Protocol	Modbus TCP, Modbus UDP			
Power				
Reverse Polarity Protection	Yes			
Consumption	2.6 W (max.)	2.9 W (max.)	3.4 W (max.)	3.6 W (max.)
Powered from PoE	-	IEEE 802.3af, Class1	-	IEEE 802.3af, Class1
Powered from Terminal Block	+10 to +30 VDC	+12 to +48 VDC		
Mechanical				
Dimensions (mm)	72 x 123 x 35 (W x L x H)		76 x 120 x 38 (W x L x H)	
Installation	DIN-Rail mounting			
Environment				
Operating Temperature	-25 to +75°C			
Storage Temperature	-30 to +80°C			
Humidity	10 to 90% RH, Non-condensing			

I/O Specifications

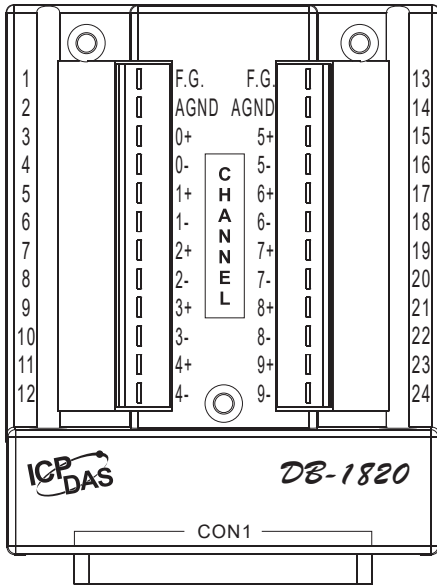
Model	ET-7019Z	PET-7019Z	ET-7219Z	PET-7219Z
Thermocouple Input				
Channels	10 (Differential)			
Type	Voltage, Current, Thermocouple			
Temperature Output Consistency	Yes			
Stable Temperature Output in the Field	Yes			
Range	±15 mV, ±50 mV, ±100 mV, ±150 mV, ±500 mV, ±1 V, ±2.5 V, ±5 V, ±10 V,			
	±20 mA, 0 to 20 mA, 4 to 20 mA (Jumper Selectable)			
	Thermocouple (J, K, T, E, R, S, B, N, C, L, M, and LDIN43710)			
Resolution	16-bit			
Accuracy	±0.1% of FSR or better			
Sampling Rate	10 Hz (total channels)			
Input Impedance	>300 kΩ			
Common Mode Rejection	86 dB (min.)			
Normal Mode Rejection	100 dB			
Over Voltage Protection	240 Vrms			
Individual Channel Configuration	Yes			
Open Wire Detection	Yes			
Zero Drift	±0.5 $\mu\text{V}/^\circ\text{C}$			
Span Drift	±25 ppm/ $^\circ\text{C}$			
Virtual Channel to Channel Isolation	±400 VDC			
Digital Output				
Channels	6		3	
Type	Isolated Open Collector			
Sink/Source (NPN/PNP)	Sink			
Load Voltage	+5 to +50 VDC			
Load Current	700 mA/channel		650 mA/channel	
Overvoltage Protection	+60 VDC			
Overload Protection	1.4 A			
Short-circuit Protection	Yes			
Power on Value	Programmable			
Safe Value	Programmable			

Wire Connections

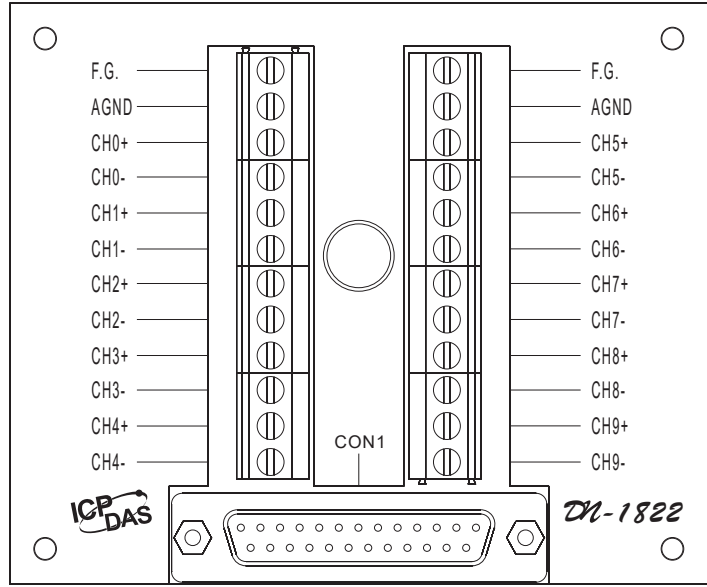


Pin Assignments

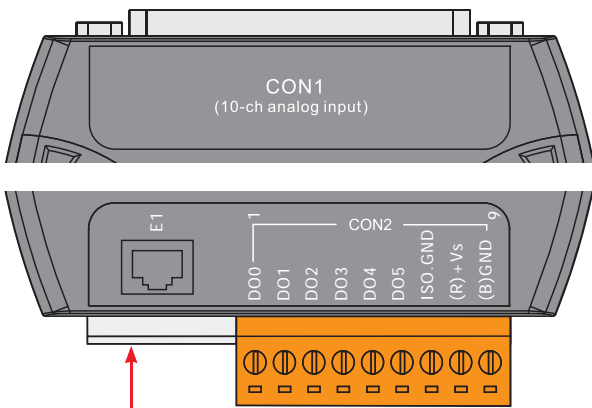
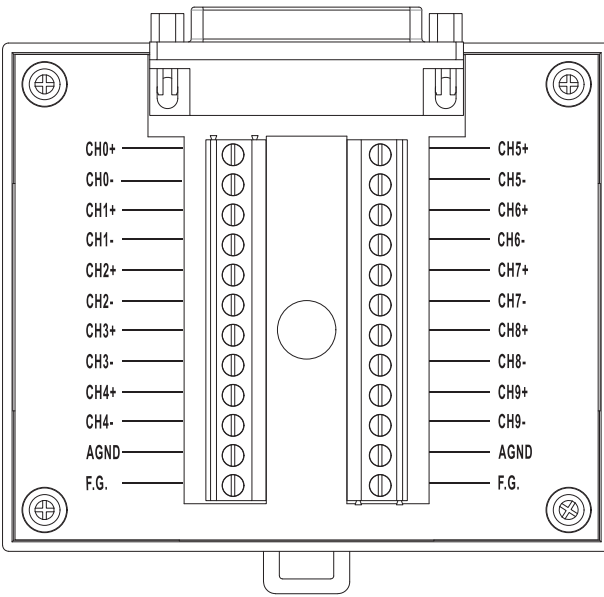
DB-1820



DN-1822

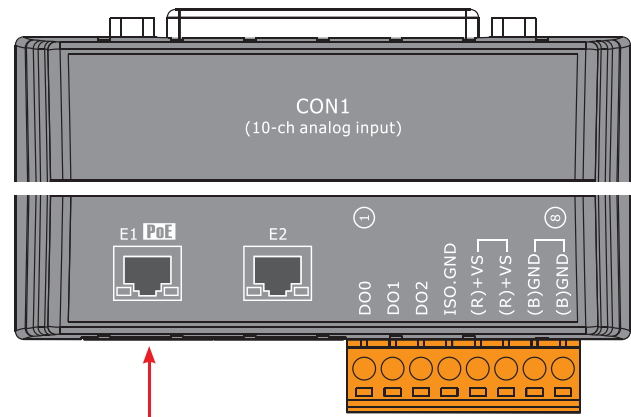


DN-1823



PET-7019Z: PoE

ET-7019Z: +10 to +30 VDC
 PET-7019Z: +12 to +48 VDC

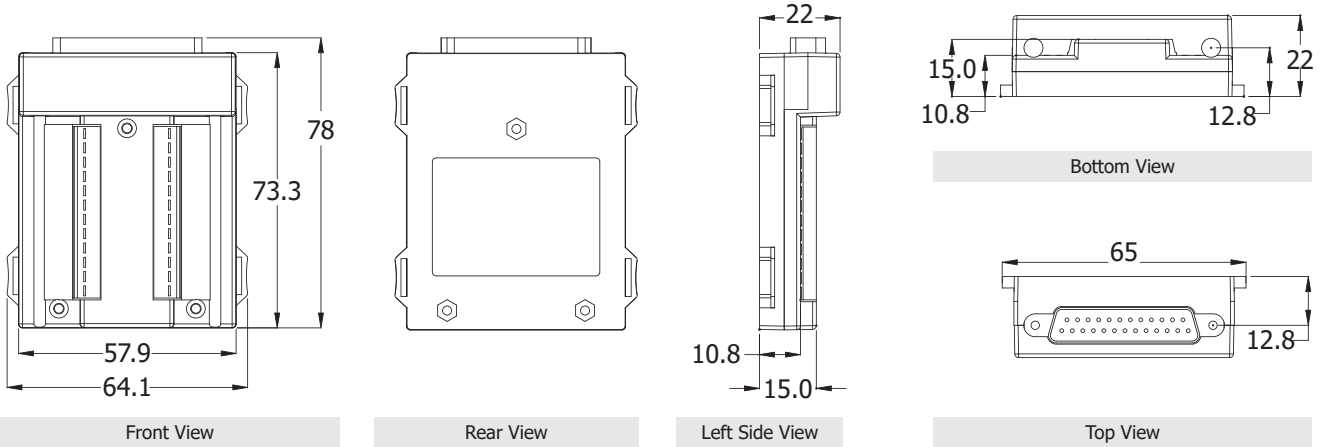


PET-7219: PoE

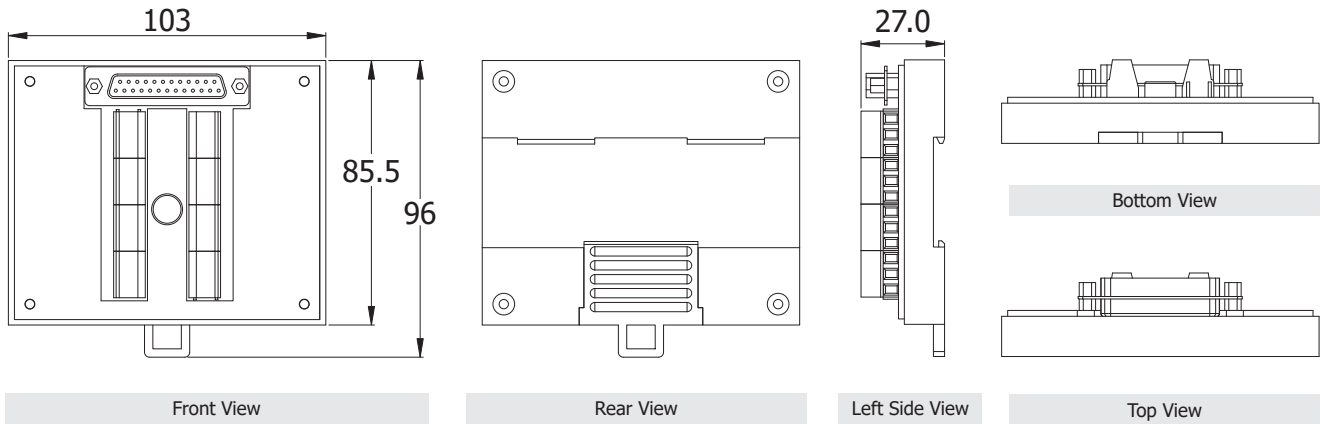
ET-7219: +10 to +30 VDC
 PET-7219: +12 to +48 VDC

Dimensions (Units: mm)

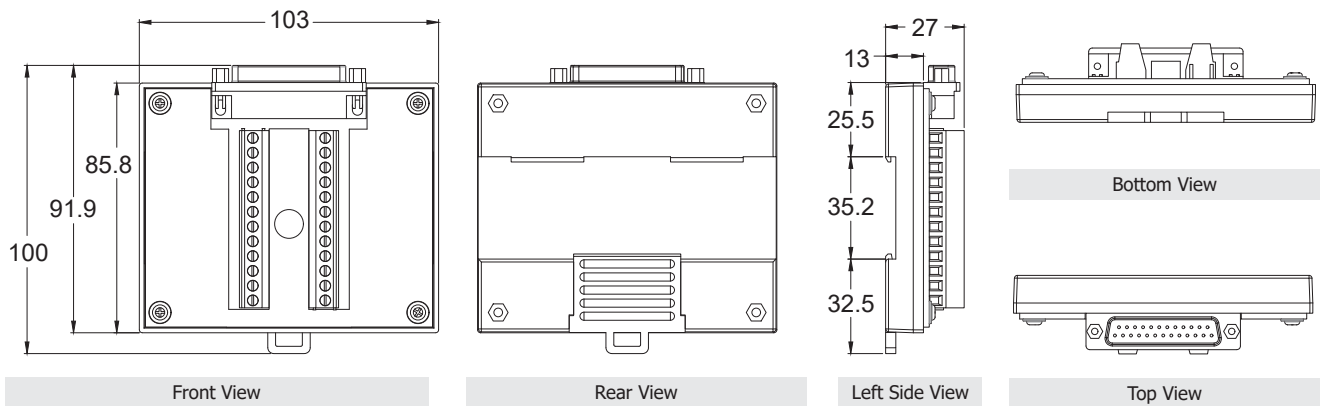
DB-1820



DN-1822



DN-1823



Ordering Information

ET-7019Z/S CR	Ethernet I/O Module with 10-ch universal AI, 6-ch DO (RoHS) Includes DB-1820 Daughter Board
PET-7019Z/S CR	PoE Ethernet I/O Module with 10-ch universal AI, 6-ch DO (RoHS) Includes DB-1820 Daughter Board
ET-7219Z/S CR	Ethernet I/O Module with 2-port Ethernet Switch with 10-ch universal AI, 3-ch DO (RoHS) Includes DB-1820 Daughter Board
PET-7219Z/S CR	PoE Ethernet I/O Module with 2-port Ethernet Switch with 10-ch universal AI, 3-ch DO (RoHS) Includes DB-1820 Daughter Board
ET-7019Z/S2 CR	Ethernet I/O Module with 10-ch universal AI, 6-ch DO (RoHS) Includes DN-1822 Daughter Board, CA-252518D-1 1.8 m Cable and 4PAPP-006-G
PET-7019Z/S2 CR	PoE Ethernet I/O Module with 10-ch universal AI, 6-ch DO (RoHS) Includes DN-1822 Daughter Board, CA-252518D-1 1.8 m Cable and 4PAPP-006-G
ET-7219Z/S2 CR	Ethernet I/O Module with 2-port Ethernet Switch with 10-ch universal AI, 3-ch DO (RoHS) Includes DN-1822 Daughter Board, CA-252518D-1 1.8 m Cable and 4PAPP-006-G
PET-7219Z/S2 CR	PoE Ethernet I/O Module with 2-port Ethernet Switch with 10-ch universal AI, 3-ch DO (RoHS) Includes DN-1822 Daughter Board, CA-252518D-1 1.8 m Cable and 4PAPP-006-G
ET-7019Z/S3 CR	Ethernet I/O Module with 10-ch universal AI, 6-ch DO (RoHS) Includes DN-1823 Daughter Board, CA-2525015D 15 cm Cable and 4PAPP-006-G
PET-7019Z/S3 CR	PoE Ethernet I/O Module with 10-ch universal AI, 6-ch DO (RoHS) Includes DN-1823 Daughter Board, CA-2525015D 15 cm Cable and 4PAPP-006-G
ET-7219Z/S3 CR	Ethernet I/O Module with 2-port Ethernet Switch with 10-ch universal AI, 3-ch DO (RoHS) Includes DN-1823 Daughter Board, CA-2525015D 15 cm Cable and 4PAPP-006-G
PET-7219Z/S3 CR	PoE Ethernet I/O Module with 2-port Ethernet Switch with 10-ch universal AI, 3-ch DO (RoHS) Includes DN-1823 Daughter Board, CA-2525015D 15 cm Cable and 4PAPP-006-G

<p>Front Rear</p>	
<p>ET-7019Z/S: DB-1820 Connects to the ET-7019Z Directly PET-7019Z/S: DB-1820 Connects to the PET-7019Z Directly ET-7219Z/S: DB-1820 Connects to the ET-7219Z Directly PET-7219Z/S: DB-1820 Connects to the PET-7219Z Directly</p>	<p>ET-7019Z/S2: DN-1822 connects to the ET-7019Z/S2 via a 1.8 m long flex cable PET-7019Z/S2: DN-1822 connects to the PET-7019Z/S2 via a 1.8 m long flex cable ET-7219Z/S2: DN-1822 connects to the ET-7219Z/S2 via a 1.8 m long flex cable PET-7219Z/S2: DN-1822 connects to the PET-7219Z/S2 via a 1.8 m long flex cable</p>

<p>ET-7019Z/S3: DN-1823 connects to the ET-7019Z/S3 via a 15 cm long flex cable PET-7019Z/S3: DN-1823 connects to the PET-7019Z/S3 via a 15 cm long flex cable</p>	<p>ET-7219Z/S3: DN-1823 connects to the ET-7219Z/S3 via a 15 cm long flex cable PET-7219Z/S3: DN-1823 connects to the PET9Z/S3 via a 15 cm long flex cable</p>

Accessories

<p>CD-25015 4PAPP-006-G</p>	<p>CD-2518D</p>
<p>PET-7019Z/S +CD-25015 +4PAPP-006-G</p>	<p>PET-7019Z/S +CD-2518D PET-7219Z/S +CD-2518D</p>